

# WEIGH-TRONIX

## PFS 2418-01 Portable Floor Scale

*Take the scale to the job rather than the job to the scale*

- 24" x 18" –1,000 lb deck scale
- Designed to interface with the Weigh-Tronix Model PC-820 Dual Counting Scale.
- Standard 12" x 14" platform with pre-drilled holes to mount a battery operated counting scale or an indicator.
- Includes mounting hardware to hold Weigh-Tronix PC-820 Counting Scale and WI-150 or WI-125 Weight Indicators in place.
- Includes DB9 connector to interface with the PC-820.
- Four additional pre-drilled holes designed to mount a BP-25R Battery Pack for extended battery operation.

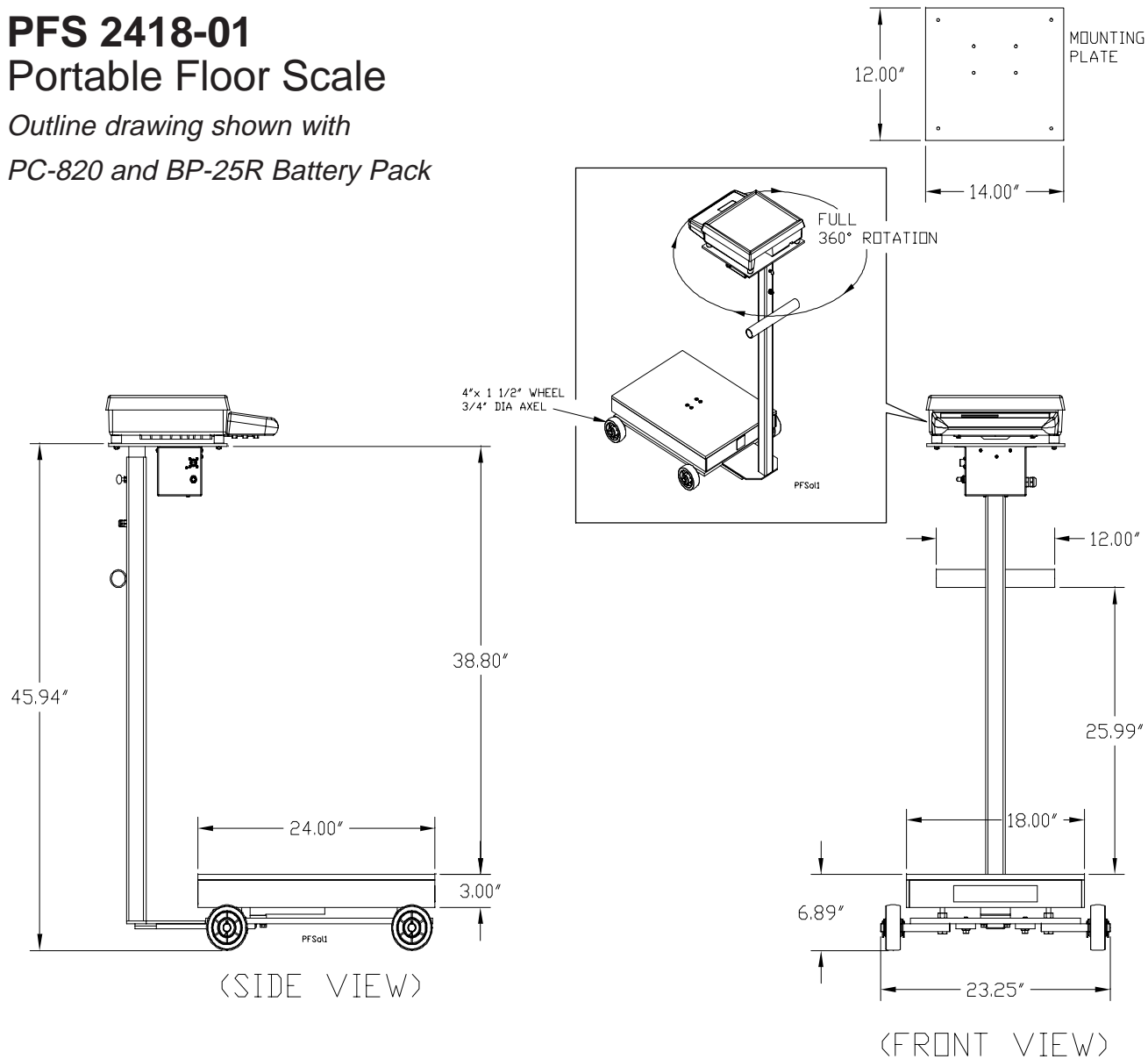


*PFS shown with optional PC-820 and BP-25R battery pack*

# PFS 2418-01

## Portable Floor Scale

Outline drawing shown with  
PC-820 and BP-25R Battery Pack



### Specifications

**Capacity:** 1,000 lbs (500 kg)

**Finish:** Carbon steel, high grade powder paint finish

**Weight sensor:** (1) 350-ohm shear beam load cell

**Load Cell Output:** 2mV/V

**Overload Protection:** 200%

**End Loading:** 100%

**Accuracy:** 0.02% of rated output

**Temperature:** 14 to 104°F (-10 to 40°C)

**Load Cell Cable:** 10 ft cable included inside column

**Wheels:** Polyolefin, each wheel capacity rated at 300 lbs.



#### Weigh-Tronix

1000 Armstrong Dr.  
Fairmont, MN 56031 USA  
Telephone: 507-238-4461  
Facsimile: 507-238-4195  
e-mail: industrial@weigh-tronix.com  
www.wtxweb.com

#### Weigh-Tronix Canada, ULC

217 Brunswick Boulevard  
Pointe Claire, QC H9R 4R7 Canada  
Telephone: 514-695-0380  
Toll free: 800-561-9461  
Facsimile: 514-695-6820  
www.weigh-tronix.ca

# WEIGH-TRONIX

Weighing Products & Systems